

# ORINDA



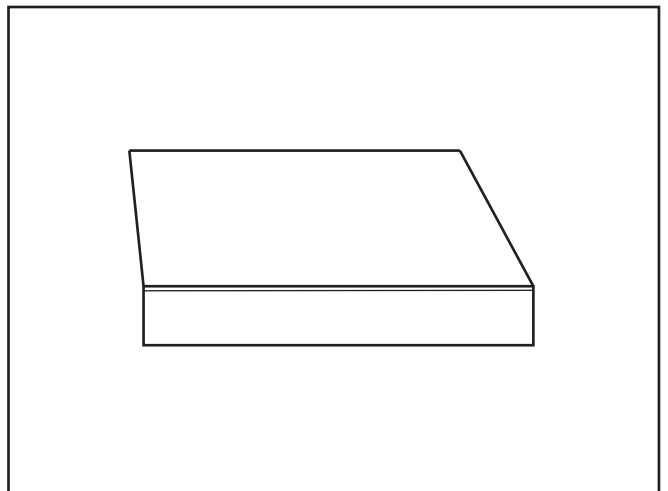
**SEE "OPTIONS" TAB FOR AVAILABILITY OF:**  
WOOD SPECIES,  
STAIN COLORS,  
SHEEN FINISHES  
and HARDWARE CHOICES

## HEIGHT OPTIONS & APPLICABLE UPGRADES

HEIGHT	WHAT'S INCLUDED
<b>STANDARD 31"</b>	Drawer boxes are edge banded solid 9-ply 1/2" birch with dovetail joints & side-mounted epoxy glides.
<b>TALL 33 3/4"</b>	
<b>PREMIERE 33 3/4"</b>	Drawer boxes are upgraded to 1/2" solid beech with dove-tail joints & <i>full extension, soft-close undermount slides</i> . Doors include soft-close hinges.
<b>FURNITURE 35 1/2" STYLE</b>	Two options (as above): Standard or Premiere  See specifics on reverse for availability



## DOOR PROFILE



\* Photo depicts the door style only.  
There is no stain/finish applied.  
Visit a Jenson Vanities dealer  
to see genuine color samples.

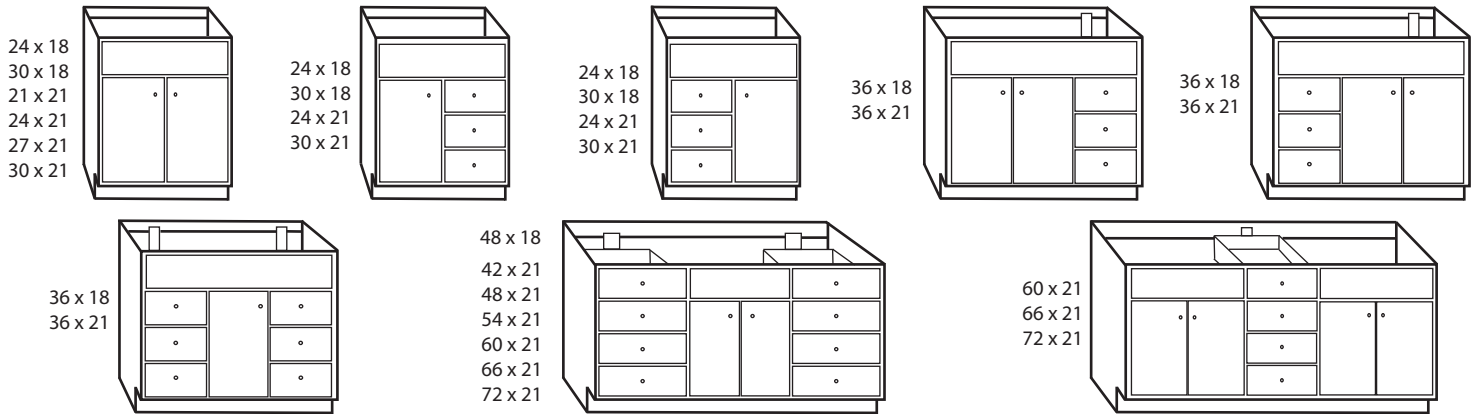
Shown: Maple



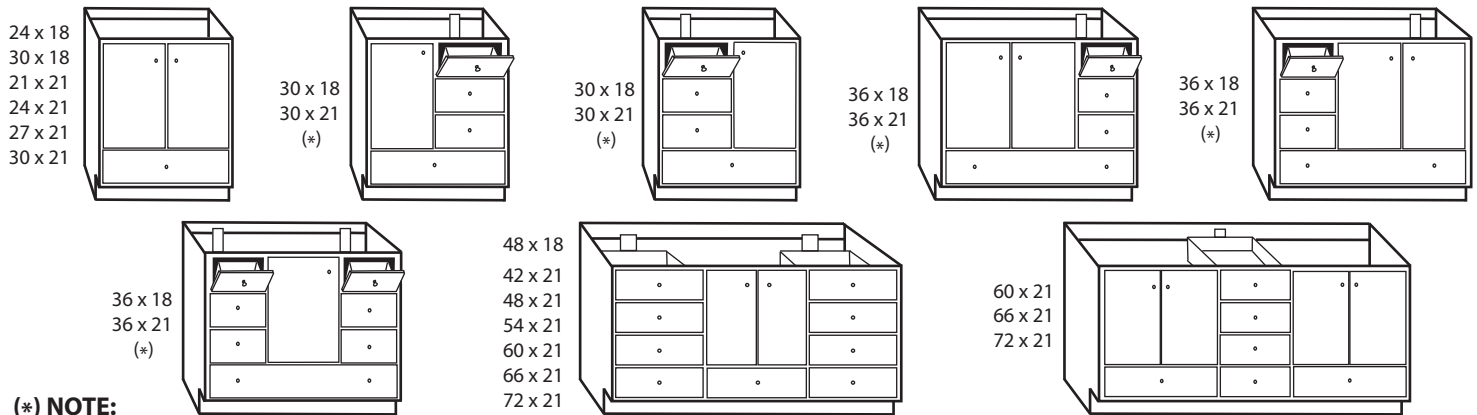
# Available Sizes and Drawer Configurations for the **ORINDA**

For additional dimensions see SPECS/INFO tab or visit [www.jensonvanities.com](http://www.jensonvanities.com)

## Vanities (W x D)



## Bottom Drawer Vanities (W x D)

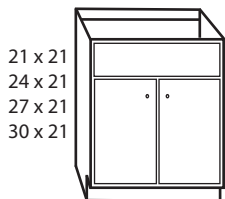


(\* NOTE:

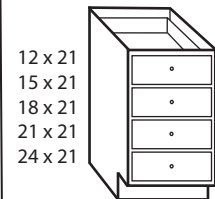
30" and 36" wide bottom drawer vanities are manufactured with tilt-out top drawers to accommodate Jenson standard vanity tops. A working top drawer(s) instead of a tilt-out tray may be specified at time of order. Jenson standard vanity tops **WILL NOT FIT** properly on these 2 sizes. A custom top with an off-set bowl will be necessary.

## Bathroom Solutions Modular, component system with multiple layouts. Cabinets Are 21 Inches Deep Only

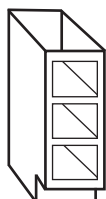
### Sink Bases (W x D)



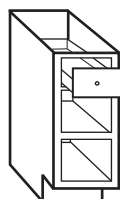
### Drawer Banks (W x D)



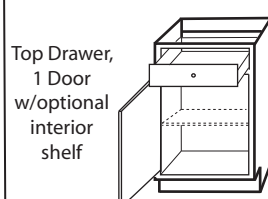
### Shelf Bridge



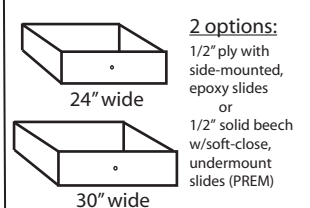
### Drawer Bridge



### 19" x 21" Cabinet

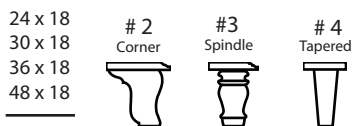


### Suspended Drawer Units



## Furniture Style Options

Available in the following sizes & leg styles:



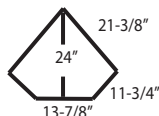
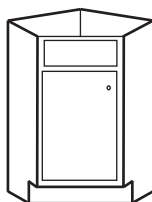
- 24 x 18
- 30 x 18
- 36 x 18
- 48 x 18
- 18 x 21
- 19 x 21
- 21 x 21
- 24 x 21
- 27 x 21
- 30 x 21
- 36 x 21
- 42 x 21
- 48 x 21
- 54 x 21
- 60 x 21
- 66 x 21
- 72 x 21

Two part ordering. Packaged and shipped separately

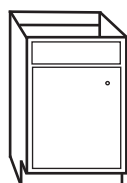


Cabinet (made with no toe-kick) + Leg base (pre-drilled w/screws & instructions) = Furniture Style Vanity

## Corner Vanity



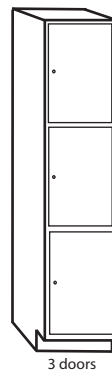
## Mini Vanity



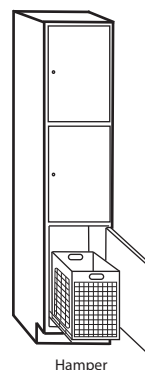
19" W x 16" D

## Linen Cabinets

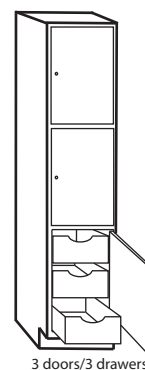
18"W x 21"D x 78"H (78 3/4"H with optional crown)



3 doors



Hamper



3 doors/3 drawers

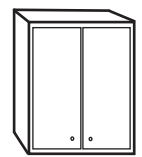
(Specify left or right hinges on all linen cabinets)

## Wall Cabinets

21"W x 8"D x 30"H (30 3/4"H with optional crown)



Over-the John



Toilet-Topper