

Physical room characteristics & space limitations in bathrooms vary. These specs are for planning purposes; if you need additional information not listed here please contact customer service via our website.

Measurement	20 x 17	25 x 19	31 x 19	37 x 19	49 x 19	Corner	25 x 22	31 x 22	37 x 22	43 x 22	49 x 22	61 x 22 Single Bowl	61 x 22 Double Bowl	73 x 22 Single Bowl	73 x 22 Double Bowl
STANDARD VANITY TOPS															
A	20	25	31	37	49	—	25	31	37	43	49	61	61	73	73
B	16¾	19	19	19	19	—	22	22	22	22	22	22	22	22	22
C	14	16	16	16	16	16	18	18	18	18	18	18	18	18	18
D	9¾	11	11	11	11	11	13	13	13	13	13	13	13	13	13
E	10¼	12½	15½	18½	24½	—	12½	15½	18½	21½	24½	30½	12½	36½	14¾
F	3¾	4¾	4¾	4¾	4¾	—	4¾	4¾	4¾	4¾	4¾	4¾	4¾	4¾	4¾
G	6	6½	6½	6½	6½	—	7½	7½	7½	7½	7½	7½	7½	7½	7½
H	7	6	6	6	6	—	8½	8½	8½	8½	8½	8½	8½	8½	8½
I	11	12	12	12	12	—	14	14	14	14	14	14	14	14	14
J	—	—	—	—	—	—	—	—	—	—	—	—	36	—	43½
K	¾	¾	¾	¾	¾	¾	¾	¾	¾	¾	¾	¾	¾	¾	¾
L	5	6	6	6	6	6½	6½	6½	6½	6½	6½	6½	6½	6½	6½

CUSTOM VANITY TOPS	
A	Single Bowls 25" up to 73". Double Bowls 55" up to 73" (+/- 1/8")
B	22 only
C	18½
D	13
E	Minimum 12½
F	4½
G	7¾

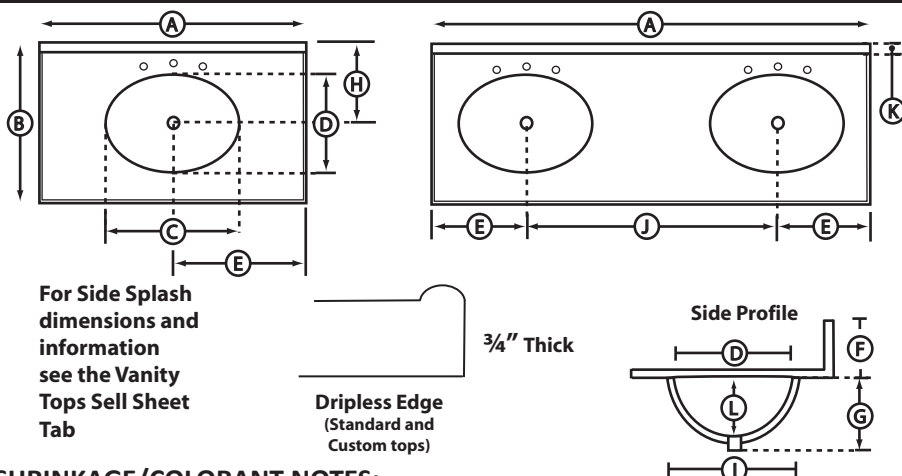
KEY: (inches)

- A = Overall Vanity Top Length (left to right)
- B = Overall Vanity Top Depth (front to back)
- C = Bowl Inside Diameter Width
- D = Bowl Inside Diameter Depth
- E = Vanity Left or Right Edge to Centerline of Drain
- F = Total Back Splash Height

- G = Outside Height of Bowl
- H = Drain Centerline to Back of Vanity Top
- I = Bowl Outside Diameter Depth
- J = Distance Between Drains, on Centerlines
- K = Back Splash Thickness
- L = Inside Height of Bowl

NOTE

Cultured marble shrinks when it is curing therefore exact sizes are not possible. Sizes may vary 1/8" to 1/4". This is not a defect but rather a reality in the cultured marble industry.



FAUCET DRILLING:

Standard Tops have 4" faucet holes. An 8" spread is optional on 22" deep tops of 37" or larger (see price sheets)

Custom Tops have 4 options: no drill, single hole, 4" spread, or 8" spread (must specify)

DRIPLESS EDGES:

Standard Tops have a driplless edge on all three sides (no options).

Custom Tops have 3 driplless edge options:

1. front only
2. front & right
3. front & left

SHRINKAGE/COLORANT NOTES:

Top sizes may vary approx. 1/8 - 1/4" in length and/or width. Pigments (color "veining") added to cultured onyx are dispersed randomly; producing unique characteristics of it's own.