



# Specifications

Linen Cabinets, Wall Cabinets and Medicine Cabinets

Physical room characteristics & space limitations in bathrooms vary. These specs are for planning purposes; If you need additional information not listed here please contact customer service via our website.

	Linén Cabinet (LC)	Over - the - John (OJ)	Toilet Topper (TT)
A	18	21¼	21¼
B	21	8	8
C	78	30	30
D	18½	8⅞	–
E	17¾	18½	–
F	5	20½	–
G	2⅞	1⅜	–
H	73	–	–
I	29¼	–	–

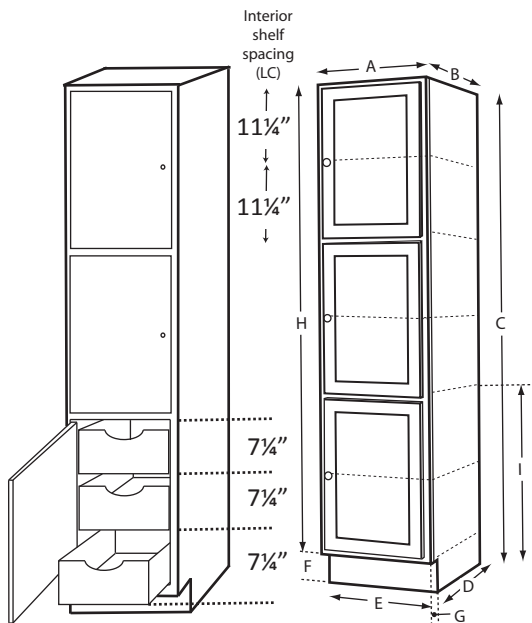
**KEY:** (in inches)

- A = Overall cabinet width (left to right)
- B = Overall cabinet depth (front to back)
- C = Overall cabinet height (top to bottom)
- D = Linén Cabinet: footprint depth (base)
- Over-the John: opening height

- E = Linén Cabinet: footprint width (base)
- Over-the John: opening width
- F = Linén Cabinet: toe kick height
- Over-the John: open shelf are to top of cabinet
- G = Linén Cabinet: toe kick depth
- Over-the John: open shelf are to bottom of cabinet
- H = Linén Cabinet's face frame height (minus the toe kick)
- I = Linén Cabinet w/3 doors: Floor to top edge of bottom door

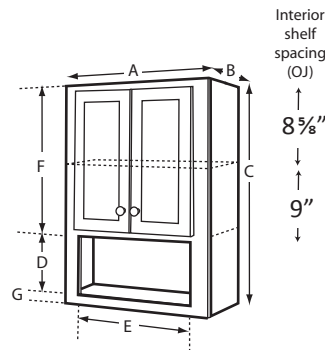
drawings not to scale

### Linén Cabinets (LC)



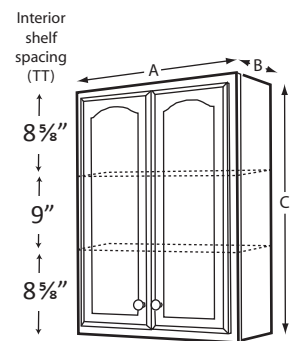
Drawer Box Inside Dimensions:  
14⅞" W x 18"D x 5⅞" H

### Over-The-John (OJ)



With the exception of the Victorian style 3 door linen cabinet, A free optional bottom door *Pull-Out Hamper* is available. The white polymer hamper measures:  
14¼" W x 20" D x 19¼" H

### Toilet Topper (TT)



### Medicine Cabinets

See Medicine Cabinets Sell Sheet Tab and price sheet for dimensions and measurements

