



Specifications

Vanity Tops

Physical room characteristics & space limitations in bathrooms vary. These specs are for planning purposes; If you need additional information not listed here please contact customer service via our website.

| Measurement | 20 x 17 | 25 x 19 | 31 x 19 | 37 x 19 | 49 x 19 | Corner | 25 x 22 | 31 x 22 | 37 x 22 | 43 x 22 | 49 x 22 | 61 x 22 Single Bowl | 61 x 22 Double Bowl | 73 x 22 Single Bowl | 73 x 22 Double Bowl |
|-----------------------------|---------|---------|---------|---------|---------|--------|---------|---------|---------|---------|---------|------------------------|------------------------|------------------------|------------------------|
| STANDARD VANITY TOPS | | | | | | | | | | | | | | | |
| A | 20 | 25 | 31 | 37 | 49 | — | 25 | 31 | 37 | 43 | 49 | 61 | 61 | 73 | 73 |
| B | 16¾ | 19 | 19 | 19 | 19 | — | 22 | 22 | 22 | 22 | 22 | 22 | 22 | 22 | 22 |
| C | 14 | 16 | 16 | 16 | 16 | 16 | 18 | 18 | 18 | 18 | 18 | 18 | 18 | 18 | 18 |
| D | 9¾ | 11 | 11 | 11 | 11 | 11 | 13 | 13 | 13 | 13 | 13 | 13 | 13 | 13 | 13 |
| E | 10¼ | 12½ | 15½ | 18½ | 24½ | — | 12½ | 15½ | 18½ | 21½ | 24½ | 30½ | 12½ | 36½ | 14¾ |
| F | 3¾ | 4¾ | 4¾ | 4¾ | 4¾ | — | 4¾ | 4¾ | 4¾ | 4¾ | 4¾ | 4¾ | 4¾ | 4¾ | 4¾ |
| G | 6 | 6½ | 6½ | 6½ | 6½ | — | 7½ | 7½ | 7½ | 7½ | 7½ | 7½ | 7½ | 7½ | 7½ |
| H | 7 | 6 | 6 | 6 | 6 | — | 8 | 8 | 8 | 8 | 8 | 8 | 8 | 8 | 8 |
| I | 11 | 12 | 12 | 12 | 12 | — | 14 | 14 | 14 | 14 | 14 | 14 | 14 | 14 | 14 |
| J | — | — | — | — | — | — | — | — | — | — | — | — | 36 | — | 43½ |
| K | ¾ | ¾ | ¾ | ¾ | ¾ | ¾ | ¾ | ¾ | ¾ | ¾ | ¾ | ¾ | ¾ | ¾ | ¾ |
| L | 5 | 6 | 6 | 6 | 6 | 6½ | 6½ | 6½ | 6½ | 6½ | 6½ | 6½ | 6½ | 6½ | 6½ |

| CUSTOM VANITY TOPS (California Customers Only) | |
|---|---|
| A | Single Bowls 25" up to 96.5". Double Bowls 55" up to 96.5" (+/- 1/8") |
| B | 22 only |
| C | 18¼ |
| D | 13 |
| E | Minimum 12½ |
| F | 4¾ |
| G | 8¾ |

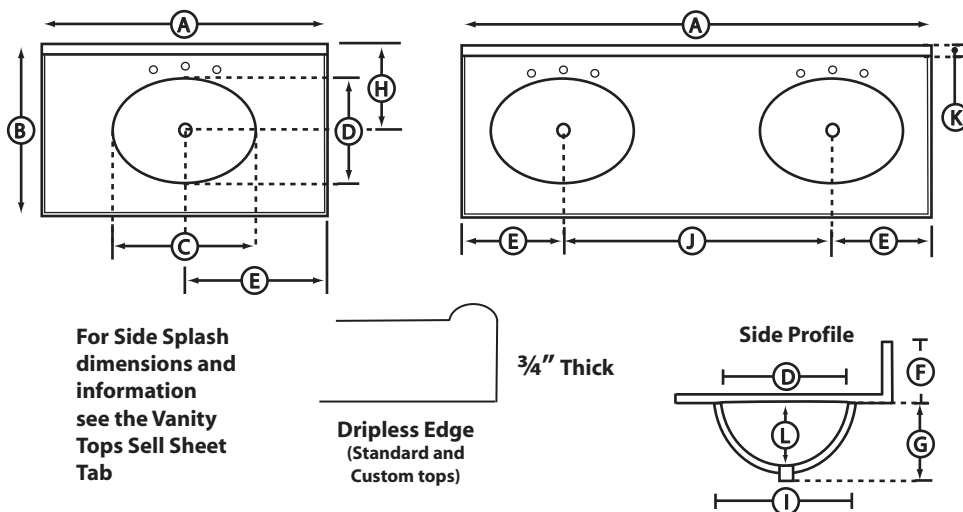
KEY: (inches)

- A = Overall Vanity Top Length (left to right)
- B = Overall Vanity Top Depth (front to back)
- C = Bowl Inside Diameter Width
- D = Bowl Inside Diameter Depth
- E = Vanity Left or Right Edge to Centerline of Drain
- F = Total Back Splash Height

- G = Outside Height of Bowl
- H = Drain Centerline to Back of Vanity Top
- I = Bowl Outside Diameter Depth
- J = Distance Between Drains, on Centerlines
- K = Back Splash Thickness
- L = Inside Height of Bowl

NOTE

Cultured marble shrinks when it is curing therefore exact sizes are not possible. Sizes may vary 1/8" to 1/4". This is not a defect but rather a reality in the cultured marble industry.



For Side Splash dimensions and information see the Vanity Tops Sell Sheet Tab

Dripless Edge (Standard and Custom tops)

FAUCET DRILLING:

Standard Tops have 4" faucet holes. An 8" spread is optional on 22" deep tops of 37" or larger (see price sheets)

Custom Tops have 4 options: no drill, single hole, 4" spread, or 8" spread (must specify)

DRIPLESS EDGES:

Standard Tops have a dripless edge on all three sides (no options).

- Custom Tops have 3 options:
1. front only/max size 92.75"
 2. front & right/max size 94.75"
 3. front & left/max size 94.75"

NOTE: A max. length top of 96.5" WILL come with a dripless edge on all 3 sides.

SHRINKAGE/COLORANT NOTES:

Top sizes may vary approx. 1/8 - 1/4" in length and/or width. Pigments (color "veining") added to cultured marble & onyx are dispersed randomly; producing unique characteristics of it's own.