



Specifications

Linen Cabinets, and Wall and Medicine Cabinets

Physical room characteristics & space limitations in bathrooms vary. These specs are for planning purposes; If you need additional information not listed here please contact customer service via our website.

	Linen Cabinet (LC)	Over - the - John (OJ)	Toilet Topper (TT)
A	18	21¼	21¼
B	21	8	8
C	78	30	30
D	18½	8⅝	—
E	17¾	18½	—
F	5	20½	—
G	2⅝	1⅜	—
H	73	—	—
I	29¼	—	—

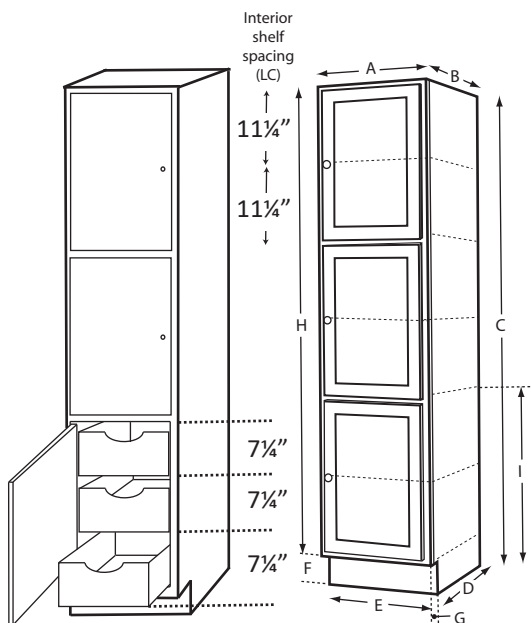
KEY: (in inches)

- A = Overall cabinet width (left to right)
- B = Overall cabinet depth (front to back)
- C = Overall cabinet height (top to bottom)
- D = Linen Cabinet: footprint depth (base)
- Over-the John: opening height

- E = Linen Cabinet: footprint width (base)
- Over-the John: opening width
- F = Linen Cabinet: toe kick height
- Over-the John: open shelf area to top of cabinet
- G = Linen Cabinet: toe kick depth
- Over-the John: open shelf area to bottom of cabinet
- H = Linen Cabinet's face frame height (minus the toe kick)
- I = Linen Cabinet w/3 doors: Floor to top edge of bottom door

drawings not to scale

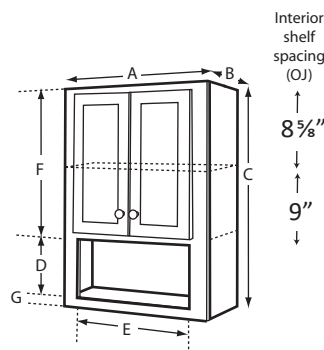
Linen Cabinets (LC)



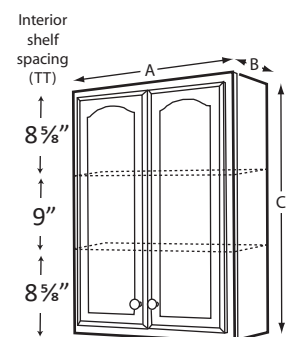
Drawer Box Inside Dimensions:

14¼" W x 18"D x 5⅝" H

Over-The-John (OJ)

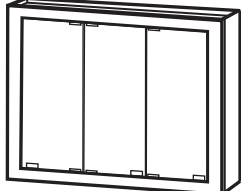


Toilet Topper (TT)



With the exception of the Victorian style 3 door linen cabinet, A free optional bottom door *Pull-Out Hamper* is available. The white polymer hamper measures:

14¼" W x 20" D x 19¼" H



Medicine Cabinets

See the Medicine Cabinets Sell Sheet Tab (reverse) and price sheet for dimensions and measurements