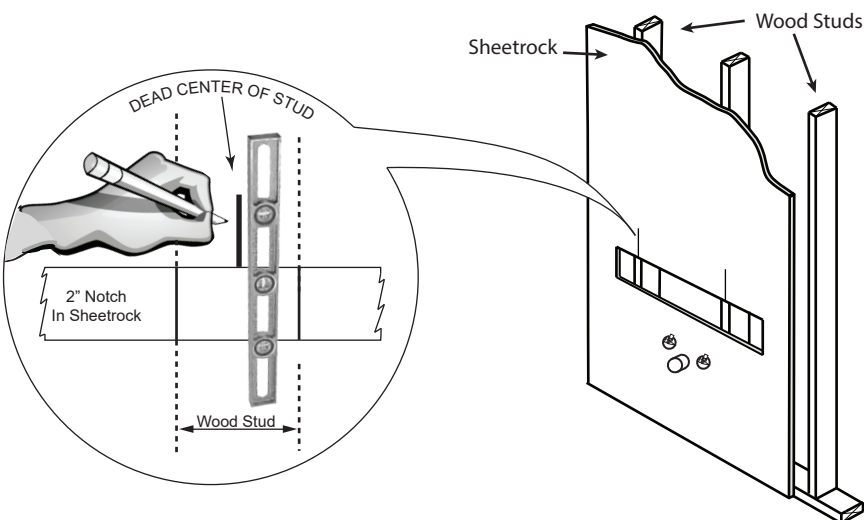
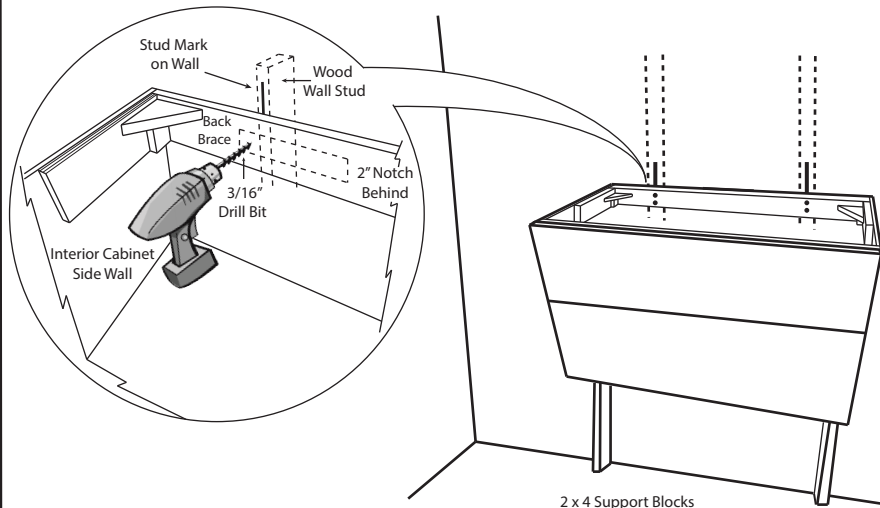


STEP 4: Use a level to make a vertical mark on the wall where the studs are located. The mark must be dead center of the stud for maximum holding strength.



STEP 5: Cut two each, 2x4 blocks to temporarily support the vanity (or use any other suitable support system). Get help placing the vanity on the 2x4 blocks.

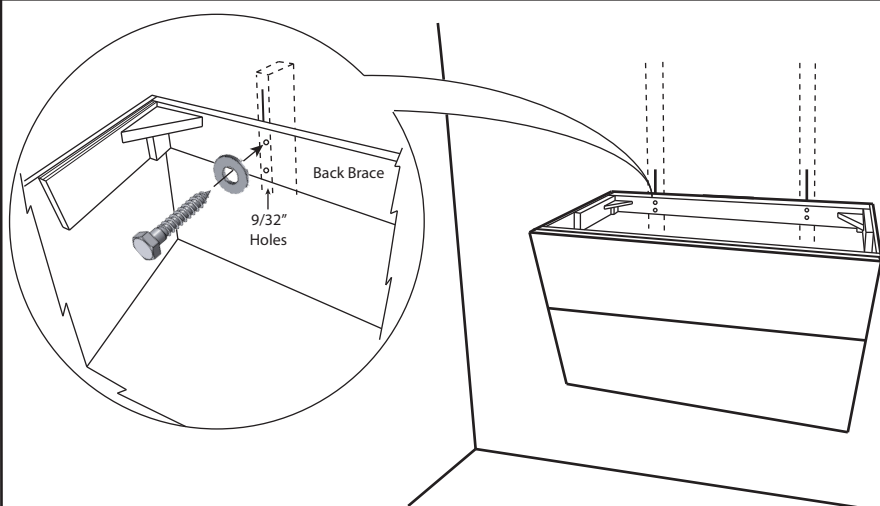
Drill a 3/16" hole in the back brace of the vanity and the dead center of the stud (2 holes per stud, 3" deep) 1" and 3-1/2" down from the top of the back brace.



STEP 6: Remove vanity and drill a 9/32" hole in each 3/16" hole in the back brace of the vanity (this will allow the vanity to fit tight to the wall).

Set the vanity back on the 2x4 blocks and line up with the holes. Use one 3" x 1/4" lag bolt and one 1/4" large washer (provided) in each hole.

Tighten until secure, being careful not to over-tighten or strip it out.



PLEASE READ - VERY IMPORTANT:



- 1.) Be careful not to chip the side veneer of the vanity when handling the vanity and removing the 2 x 4 blocks.
- 2.) Do not install the vanity if you have dry rot, mold or steel studs. They will not be strong enough to support the vanity.