

CARMEL

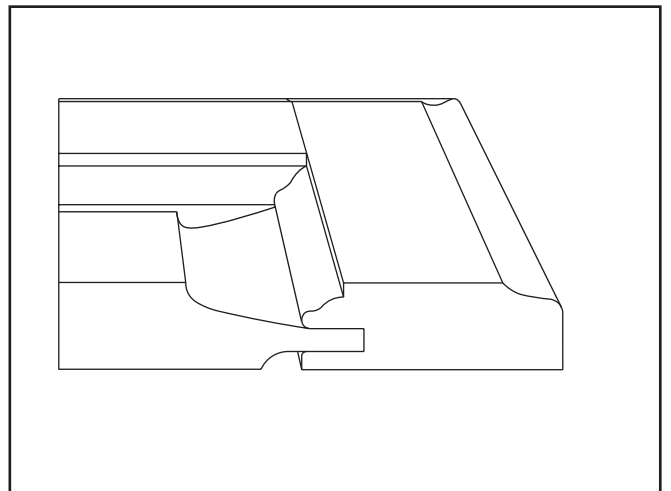


SEE "OPTIONS" TAB FOR AVAILABILITY OF:
WOOD SPECIES,
STAIN COLORS,
SHEEN FINISHES
and HARDWARE CHOICES

HEIGHT OPTIONS & APPLICABLE UPGRADES

HEIGHT	WHAT'S INCLUDED
STANDARD 31"	Drawer boxes are edge banded solid 9-ply 1/2" birch with dovetail joints & side-mounted epoxy glides.
TALL 33 3/4"	
PREMIERE 33 3/4"	Drawer boxes are upgraded to 1/2" solid beech with dove-tail joints & <i>full extension, soft-close undermount slides</i> . Doors include soft-close hinges.
FURNITURE 35 1/2" STYLE	Two options (as above): Standard or Premiere See specifics on reverse for availability

DOOR PROFILE



* Photo depicts the door style only.
There is no stain/finish applied.
Visit a Jenson Vanities dealer
to see genuine color samples.

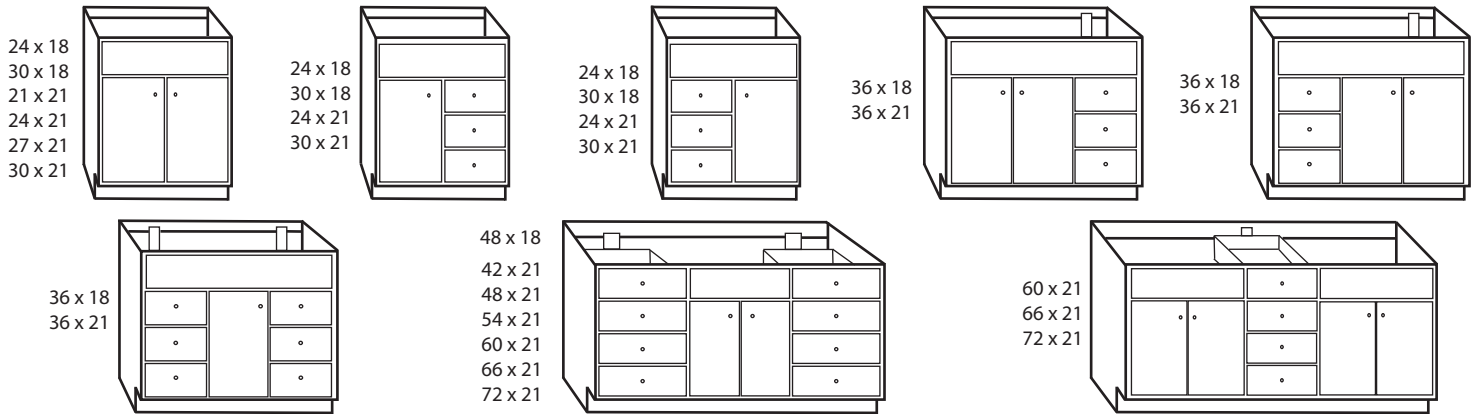
Shown: Oak



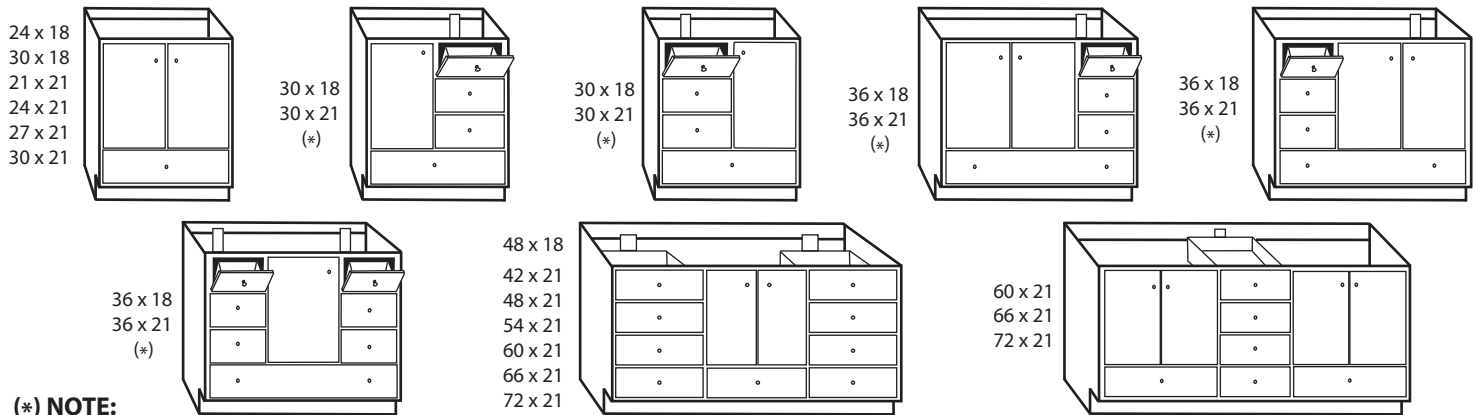
Available Sizes and Drawer Configurations for the **DANVILLE**

For additional dimensions see SPECS/INFO tab or visit www.jensonvanities.com

Vanities (W x D)



Bottom Drawer Vanities (W x D)

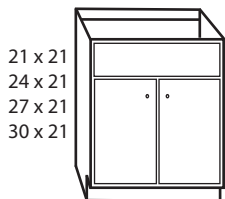


(* NOTE:

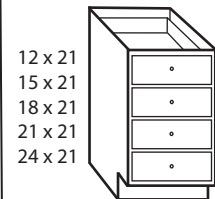
30" and 36" wide bottom drawer vanities are manufactured with tilt-out top drawers to accommodate Jenson standard vanity tops. A working top drawer(s) instead of a tilt-out tray may be specified at time of order. Jenson standard vanity tops **WILL NOT FIT** properly on these 2 sizes. A custom top with an off-set bowl will be necessary.

Bathroom Solutions Modular, component system with multiple layouts. Cabinets Are 21 Inches Deep Only

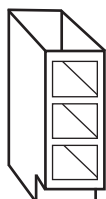
Sink Bases (W x D)



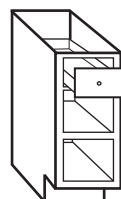
Drawer Banks (W x D)



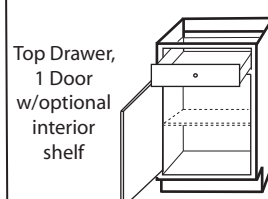
Shelf Bridge



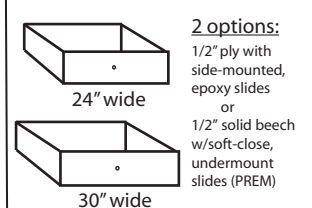
Drawer Bridge



19" x 21" Cabinet

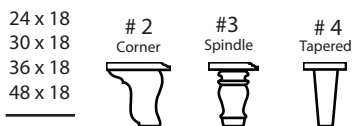


Suspended Drawer Units



Furniture Style Options

Available in the following sizes & leg styles:



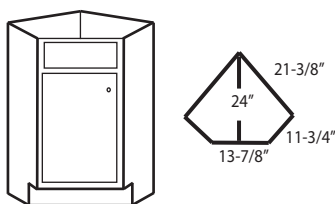
18 x 21
19 x 21
21 x 21
24 x 21
27 x 21
30 x 21
36 x 21
42 x 21
48 x 21
54 x 21
60 x 21
66 x 21
72 x 21

Two part ordering. Packaged and shipped separately

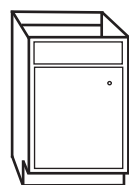


Cabinet (made with no toe-kick)
Leg base (pre-drilled w/screws & instructions)
Furniture Style Vanity

Corner Vanity

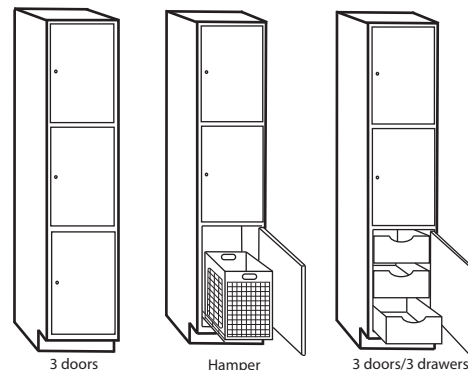


Mini Vanity



Linen Cabinets

18"W x 21"D x 78"H (78 3/4"H with optional crown)



(Specify left or right hinges on all linen cabinets)

Wall Cabinets

21"W x 8"D x 30"H (30 3/4"H with optional crown)

