

HEALDSBURG



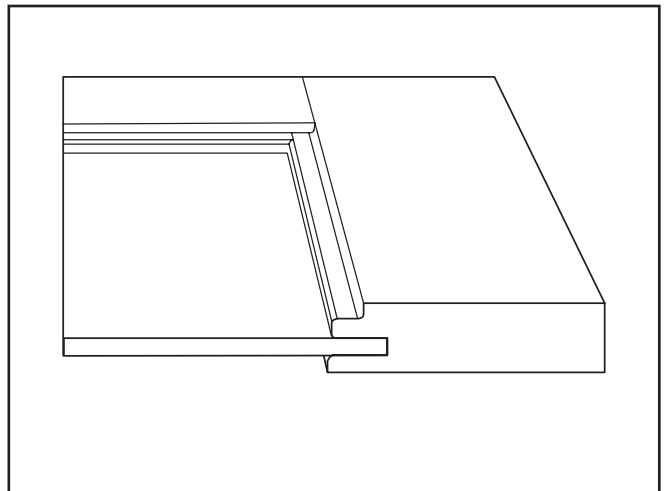
SEE "OPTIONS" TAB FOR AVAILABILITY OF:
WOOD SPECIES,
STAIN COLORS,
SHEEN FINISHES
and HARDWARE CHOICES

HEIGHT OPTIONS & APPLICABLE UPGRADES

HEIGHT	WHAT'S INCLUDED
STANDARD 31"	Drawer boxes are edge banded solid 9-ply 1/2" birch with dovetail joints & side-mounted epoxy glides.
TALL 33 3/4"	
PREMIERE 33 3/4"	Drawer boxes are upgraded to 1/2" solid beech with dove-tail joints & <i>full extension, soft-close undermount slides</i> . Doors include soft-close hinges.
FURNITURE 35 1/2" STYLE	Two options (as above): Standard or Premiere See specifics on reverse for availability



DOOR PROFILE



* Photo depicts the door style only.
There is no stain/finish applied.
Visit a Jenson Vanities dealer
to see genuine color samples.

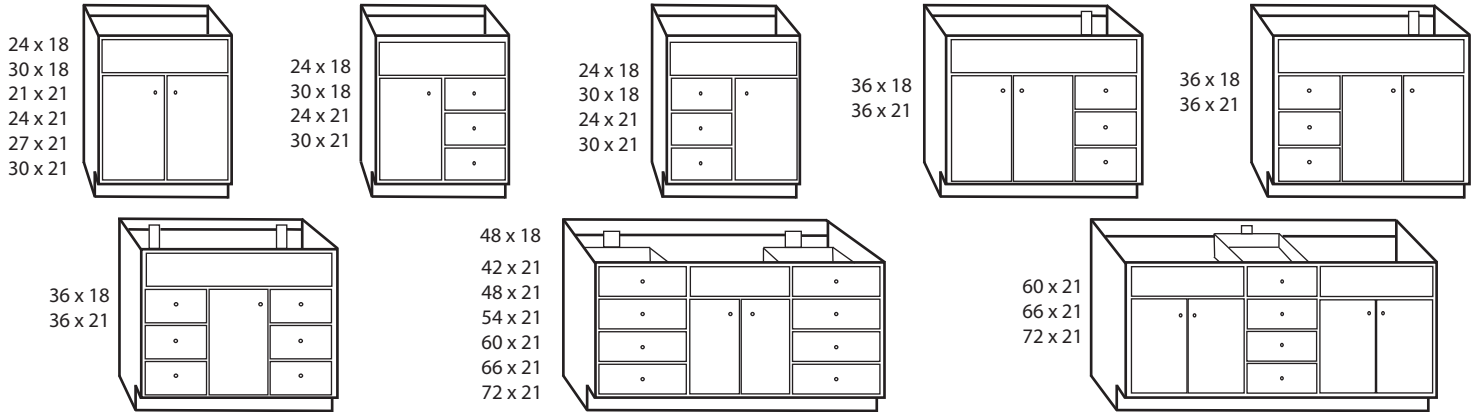
Shown: Maple



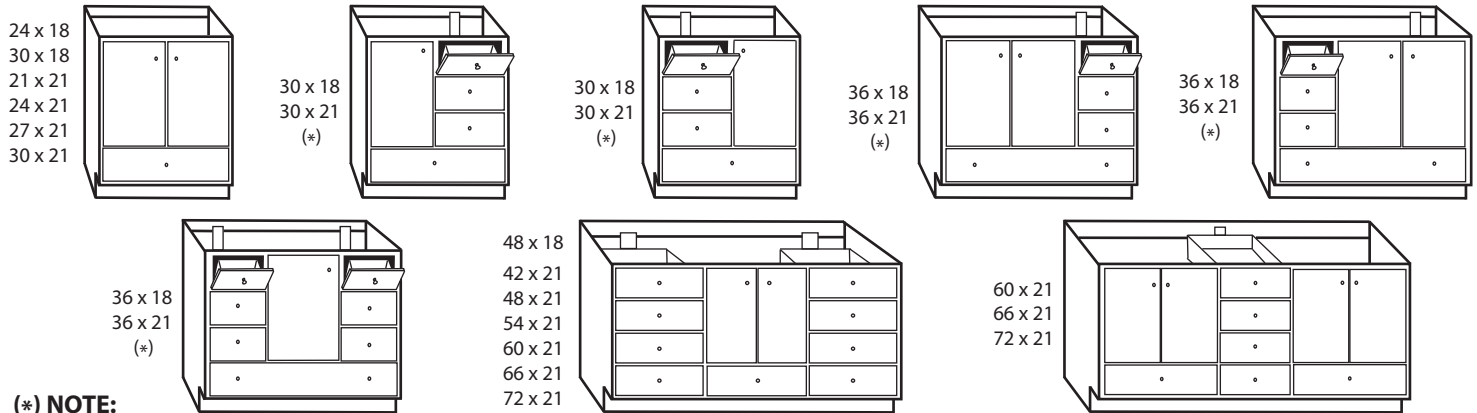
Available Sizes and Drawer Configurations for the **HEALDSBURG**

For additional dimensions see SPECS/INFO tab or visit www.jensonvanities.com

Vanities (W x D)



Bottom Drawer Vanities (W x D)



(*) NOTE:

30" and 36" wide bottom drawer vanities are manufactured with tilt-out top drawers to accommodate Jenson standard vanity tops. A working top drawer(s) instead of a tilt-out tray may be specified at time of order. Jenson *standard vanity tops WILL NOT FIT* properly on these 2 sizes. A *custom top* with an off-set bowl will be necessary.

Bathroom Solutions Modular, component system with multiple layouts. Cabinets Are 21 Inches Deep Only

Sink Bases (W x D)	Drawer Banks (W x D)	Shelf Bridge	Drawer Bridge	19" x 21" Cabinet	Suspended Drawer Units
<p>21 x 21 24 x 21 27 x 21 30 x 21</p>	<p>12 x 21 15 x 21 18 x 21 21 x 21 24 x 21</p>		<p>12 x 21 15 x 21 18 x 21</p>	<p>Top Drawer, 1 Door w/optional interior shelf</p>	<p>2 options: 1/2" ply with side-mounted, epoxy slides or 1/2" solid beech w/soft-close, undermount slides (PREM)</p> <p>24" wide 30" wide</p>

Furniture Style Options	Corner Vanity	Linen Cabinets	Wall Cabinets
<p>Available in the following sizes & leg styles:</p> <p>24 x 18 30 x 18 36 x 18 48 x 18</p> <p>#2 Corner #3 Spindle #4 Tapered</p> <p>18 x 21 19 x 21 21 x 21 24 x 21 27 x 21 30 x 21 36 x 21 42 x 21 48 x 21 54 x 21 60 x 21 66 x 21 72 x 21</p> <p>Two part ordering. Packaged and shipped separately</p> <p>Cabinet (made with no toe-kick) Leg base (pre-drilled w/screws & instructions) Furniture Style Vanity</p>	<p>21-3/8" 24" 11-3/4" 13-7/8"</p> <p>Mini Vanity</p> <p>19"W x 16"D</p>	<p>18"W x 21"D x 78"H (78 3/4"H with optional crown)</p> <p>3 doors Hamper 3 doors/3 drawers</p> <p>(Specify left or right hinges on all linen cabinets)</p>	<p>21"W x 8"D x 30"H (30 3/4"H with optional crown)</p> <p>Over-the John Toilet-Topper</p>